

OVEN DIMENSIONS

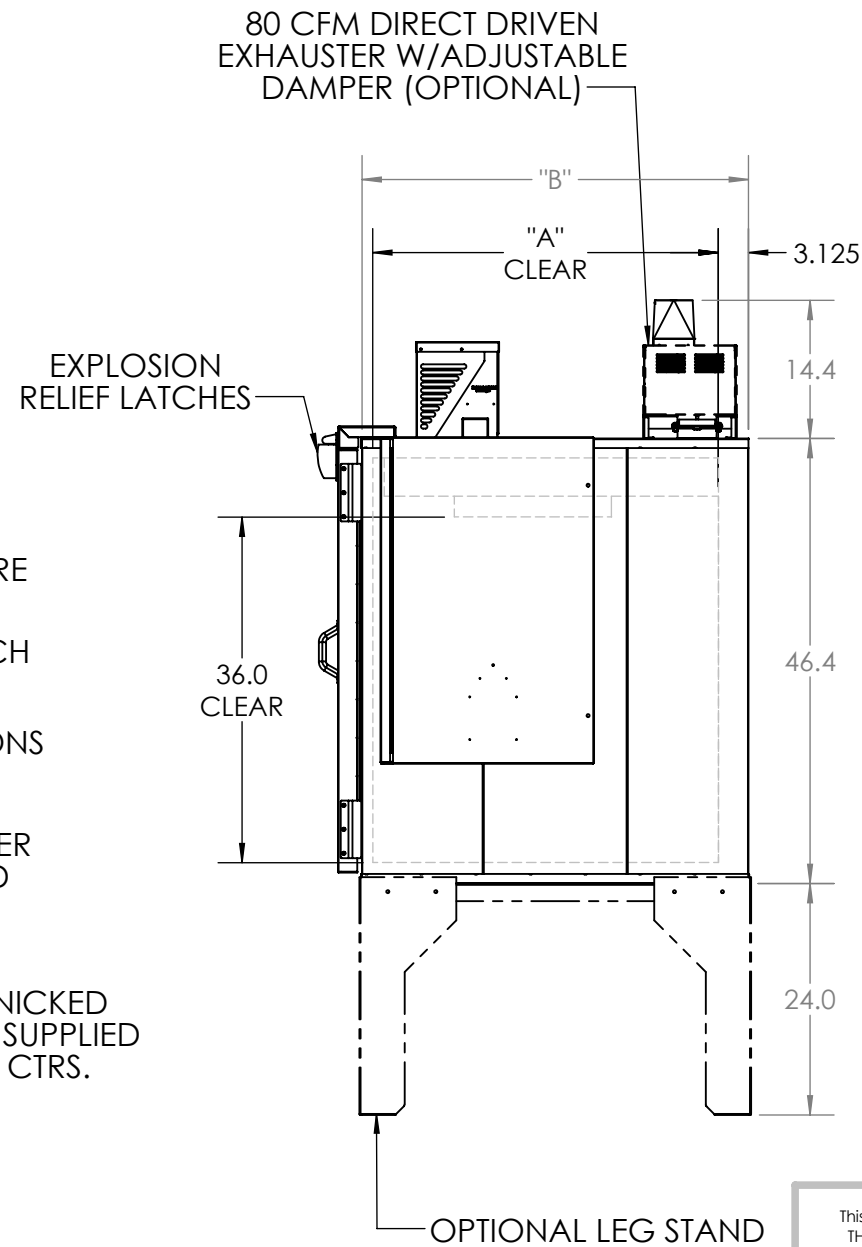
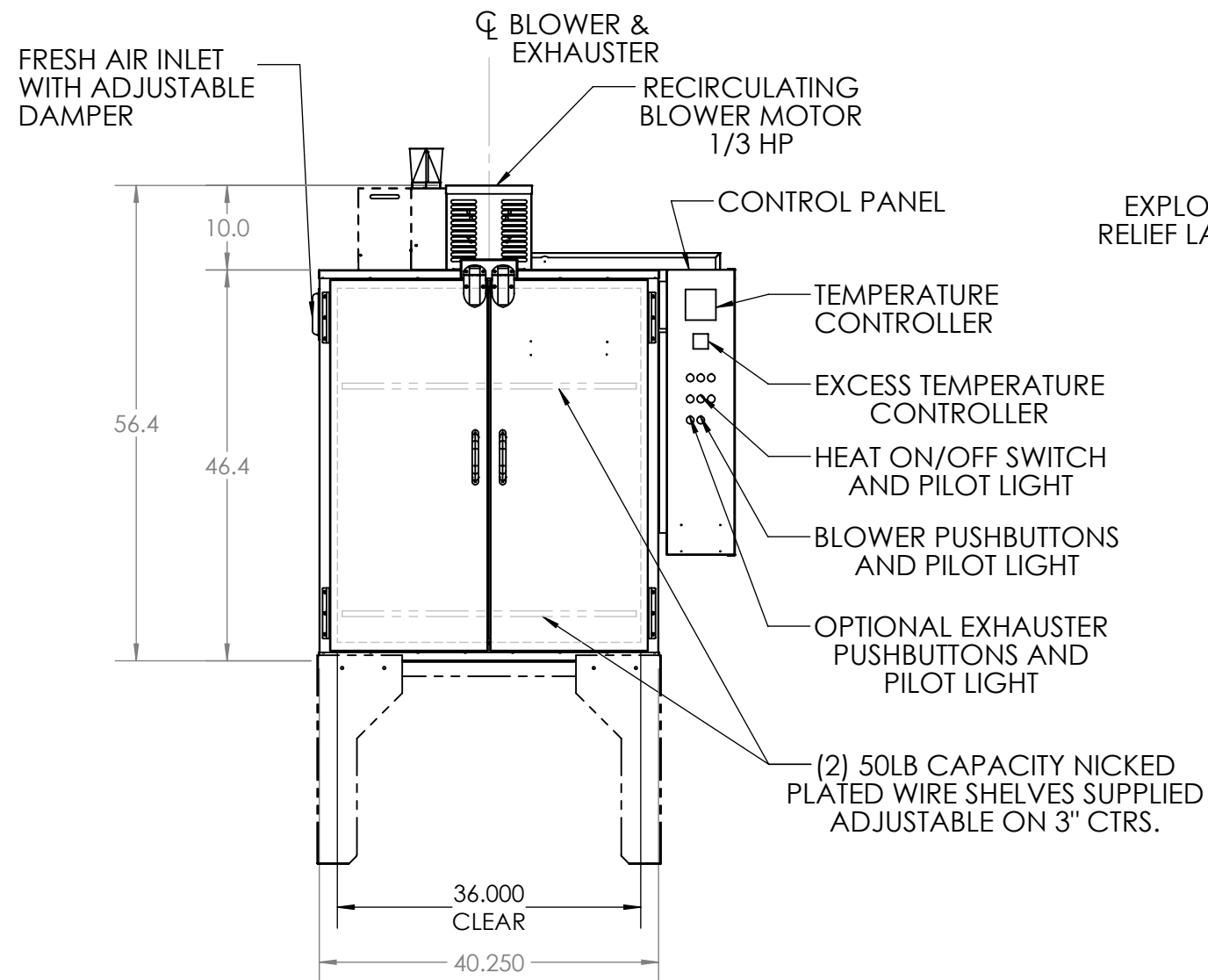
MODEL	WORK SPACE W x D x H	KW	VOLUME CU. FT.	CFM	MOTOR H. P.	INSULATION THICKNESS	"A"	"B"	"C"
323	36" x 21" x 36"	4.4	15.8	400	1/3	2"	21"	25.25"	29.85"
333	36" x 36" x 36"	6.6	27	400	1/3	2"	36"	40.25"	44.85"
343	36" x 48" x 36"	6.6	36	400	1/3	2"	48"	52.25"	56.85"

NOTES

- STANDARD ELECTRICAL SERVICE:
208/1/60, 208/3/60,
230/1/60, 230/3/60,
460/3/60

OTHER ELECTRICAL CHARACTERISTICS
AVAILABLE

- MAX. OPERATING TEMPERATURE:
400 DEG. F
- AIR FLOW: HORIZONTAL, BACK TO
FRONT
- INTERIOR: 304 STAINLESS STEEL, WITH
CARBON STEEL BLOWER WHEEL
- EXTERIOR: ALUMINIZED STEEL, PAINTED
TRILITE GREEN MACHINERY ENAMEL



This drawing is the property of
THE GRIEVE CORPORATION,
and may not be used or reproduced
without the express permission of
THE GRIEVE CORPORATION

REV.	DESCRIPTION	BY	DATE
DESCRIPTION			
CUSTOMER			
MODEL 323, 333, 343, LARGE CAPACITY BENCH OVEN			
SHOP ORDER			
DRAWN BY	PJD	DWG. NO.	323, 333, 343
DATE	PRINT DATE	5/14/2015	