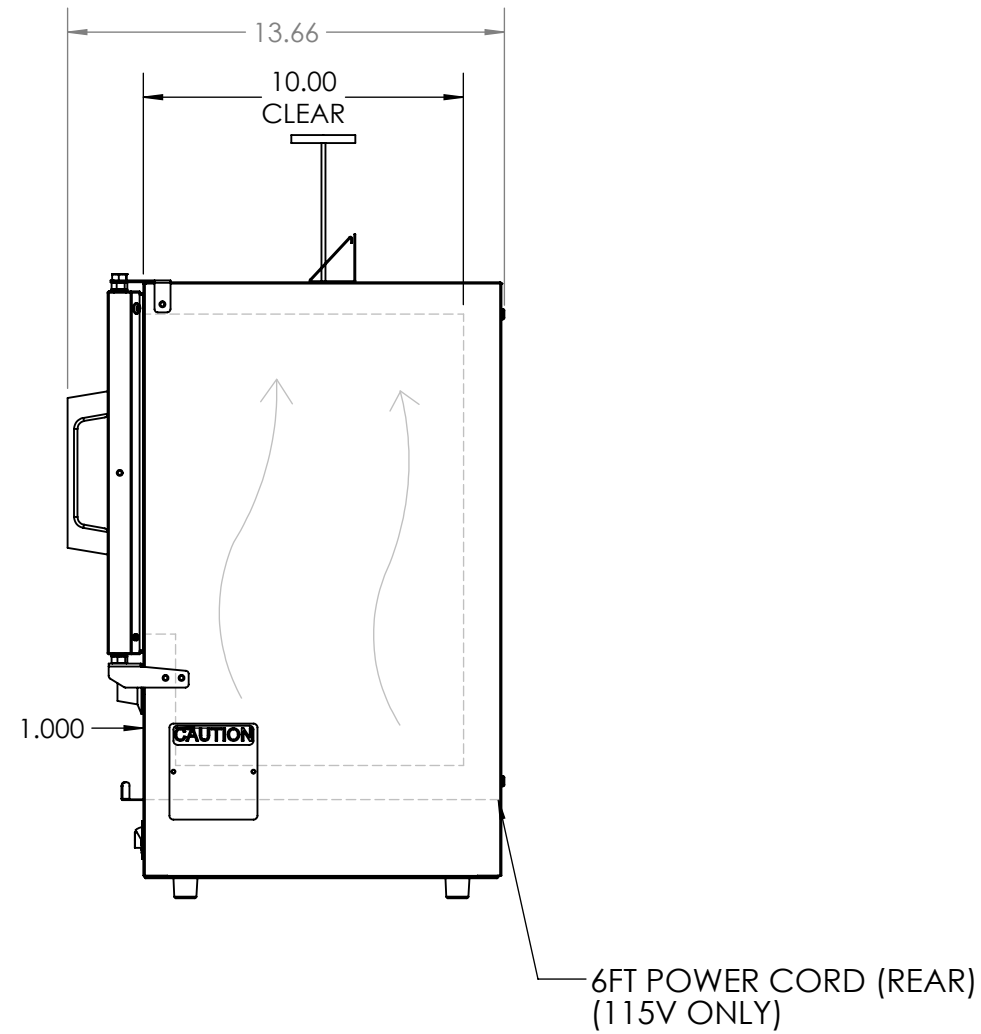
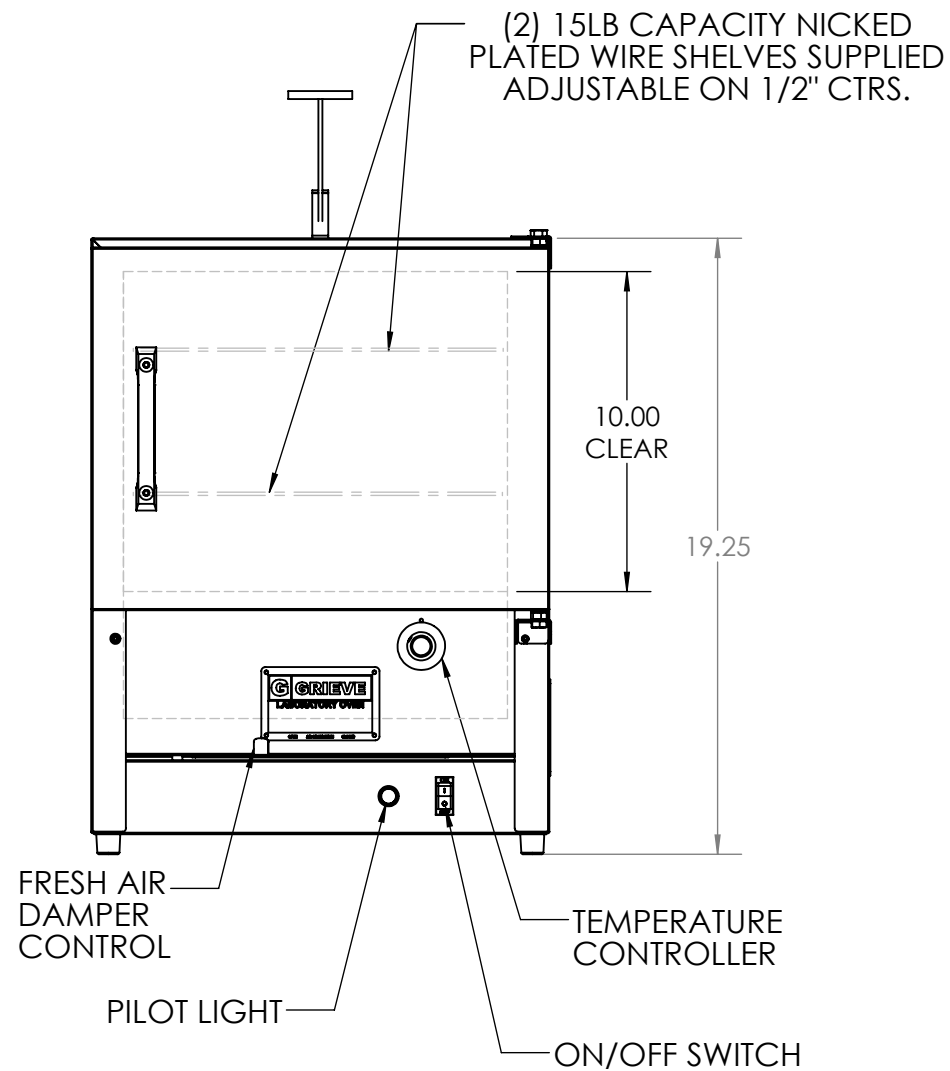


NOTES

1. STANDARD ELECTRICAL SERVICE:
120/1/60, 3-WIRE CORD PLUG
240/1/60
(CAN BE OPERATED ON 208 VOLTS.
HEAT INPUT WILL BE REDUCED BY 20%)
2. MAX. OPERATING TEMPERATURE:
200 DEG. C.
3. AIR FLOW: HORIZONTAL, BOTTOM TO TOP
4. INTERIOR: 304 STAINLESS STEEL
5. EXTERIOR: 304 BRUSHED STAINLESS STEEL



This drawing is the property of THE GRIEVE CORPORATION, and may not be used or reproduced without the express permission of THE GRIEVE CORPORATION

REV.	DESCRIPTION	BY	DATE
DESCRIPTION			
CUSTOMER			
MODEL LO-201C LABORATORY OVEN			
SHOP ORDER			
DRAWN BY PJD		DWG. NO.	
DATE		LO-201C	
		PRINT DATE 6/3/2013	